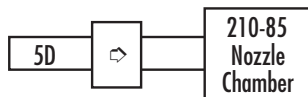
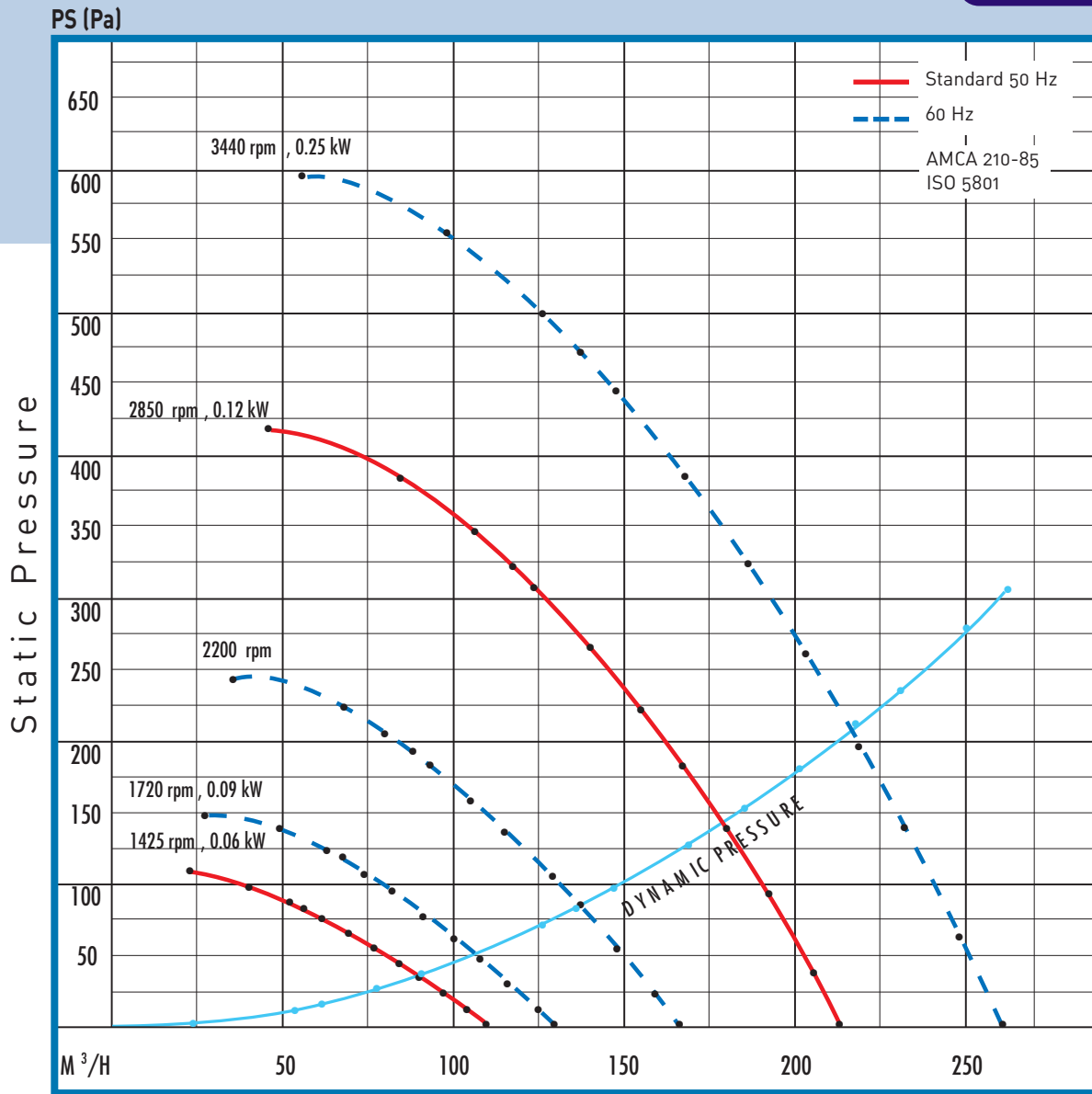


STORM 10



STORM Series



Noise level type B.
Visit our website for details.

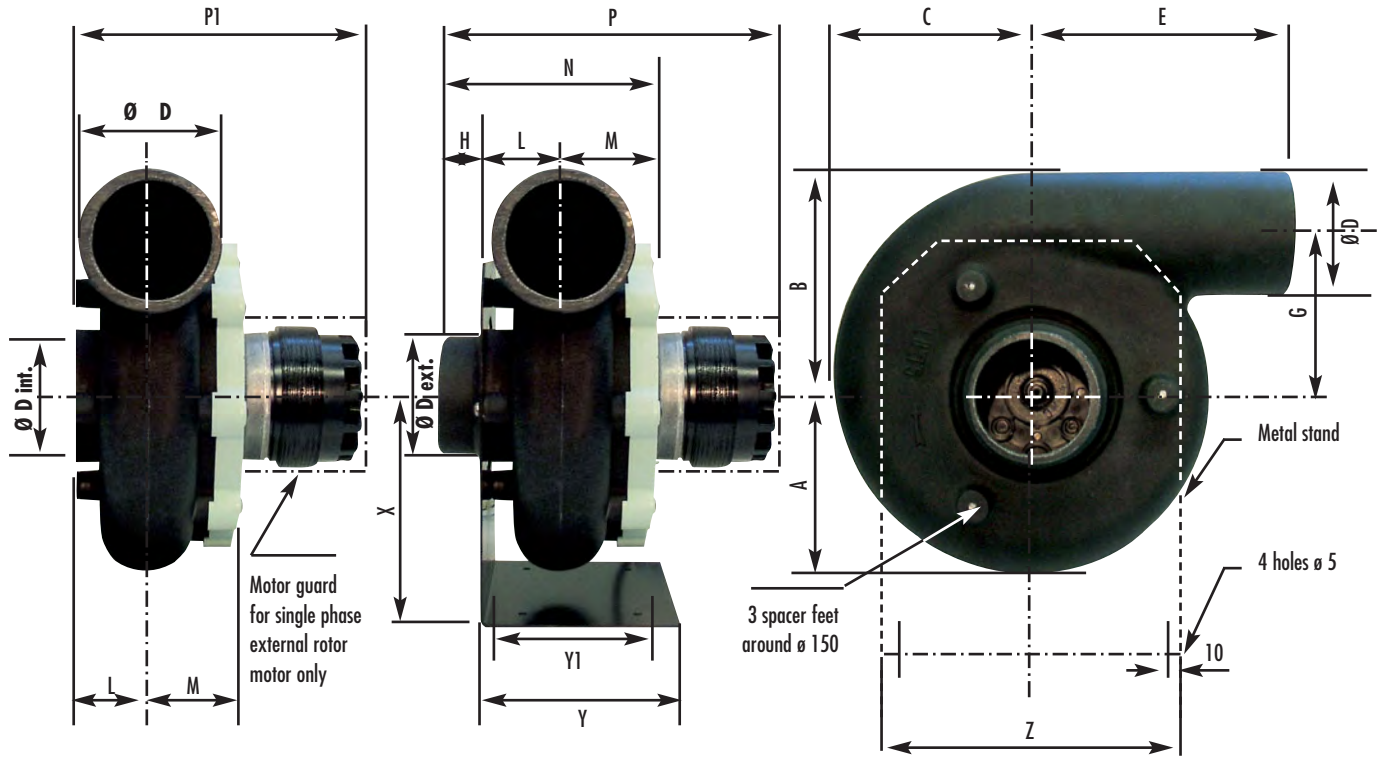


Housing and motor noise level when fan is running near maximum output

n (T/min) R.P.M.	dB(A)	dB
1435	52,3	61,6
1720	57,1	67,4
2870	69,7	80,8
3440	74,1	85,2

n (T/min) R.P.M.	Global dB	Global dB (A)
1435	62,9	51,6
1720	68,1	56,5
2870	81,1	69,6
3440	85,5	74,4

ISO 13347



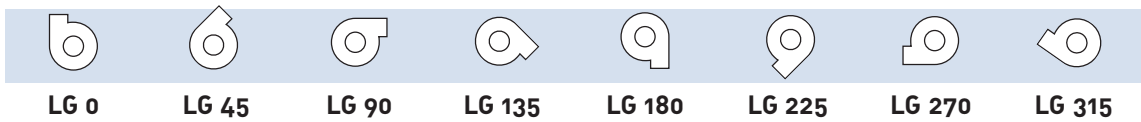
ONLY LG POSITION

Dimensional data (mm). Metal stand does not come standard with fan (see accessories pricing).
The motor frame size may vary upon type of motor used.

A	B	C	Ø D	E	G	H	L	M	N	Y	Y ₁	Z	X
115	135	127	75	158	97	32	48	57	137	120	100	165	135

Motor type		
	P1	P
Single phase, rotor exterior, IP20 with cover	173	205
ATEX Three phase	262	295
Three phase, IP55	253	285

Handings with IP55 motor type are viewed from inlet side - 45 degree adjustable



LG 0 and LG 90 are handings with IP20 motor type.